



Work Surface:

Work surface to be made of 5/8" Melsur® solid plastic consisting of wood flour and Melamine resin with binder component to assure a durable, smooth, stain resistant surface.. Top size: 18" X 24"

Frame:

Formed of 1" diameter 16 gauge tubular steel. Cross bracing of 14 gauge steel brackets are MIG welded to the U-shaped upper legs forming a self supporting frame. Upper frame legs run side-to-side to strengthen the support for the book box. Lower adjustable leg inserts are 7/8" tubular steel with strength, security and stability at each height adjustment.

Heights:

Adjustable from 22" to 29" in one inch increments

Glides:

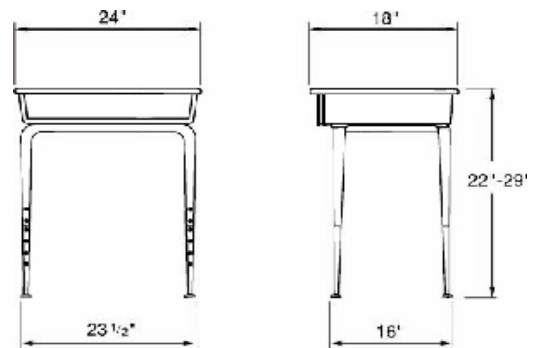
To be 5/8" outside gripping, silent, rubber cushioned, swivel of self-leveling 1" minimum diameter hard carbon steel nylon base type, with a flat bottom and chrome plated finish.

Standard Frame Color:

Bright nickel chrome plating meets all present requirements for non-corrosive and abrasion resistant finish.

Book Box:

One piece molded polypropylene book box measuring 21" X 16" X 4-1/2" with molded pencil tray. Molded with heavy duty ribs for high strength and flex resistance.



Standard Book Box Colors:



	SPECIFICATION		REVISION: 1.0.1	PREVIOUS: 1.0.0
	SC2200		DATE: 4/23/2013	DATE: 2/27/2012 JBG